

Possible applications include :



Swinging gate accessories

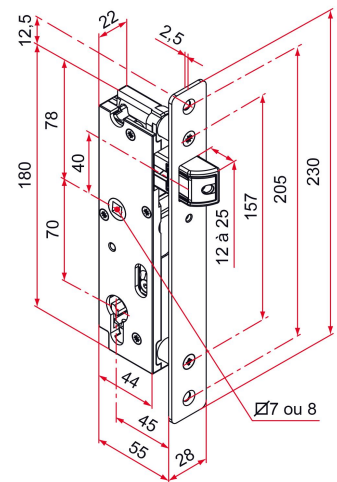


Features

- Composite lock case and 304 stainless steel faceplate.
Reversible.



- For the colored versions, only the headplate is painted.



Products to be ordered from :
TIRARD SAS 16, Avenue du Vimeu Vert Z.A. du Vimeu Industriel 80210
FEUQUIERES-EN-VIMEU
email : commande@tirard-burgaud.com

Possible applications include :



Swinging gate accessories



Référence	Square spindle	Finish	GENCOD 3661598	Condit. par	Délai j
GK492470	7	9005-80%	05920 6	1	7
GK491470	7	9016-80%	05921 3	1	7
GK401470	7	brossé	05922 0	1	7
GK4XX470	7		05923 7	1	21
GK492490	8	9005-80%	05928 2	1	7
GK491490	8	9016-80%	05929 9	1	7
GK401490	8	brossé	05930 5	1	7
GK4XX490	8		05931 2	1	21

 Multi-RAL : specify your color when placing the order (<https://www.couleursral.fr/ral-classic>)