

Possible applications include :

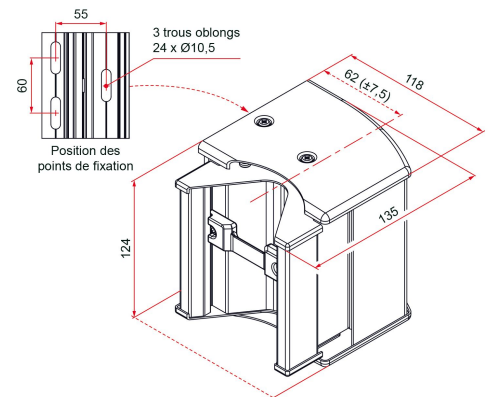


Sliding gate



## Features

- Composition: Receiving profile, fixing bracket, aluminum cladding profile, aluminum covers, stainless steel 304 latch and screws.




Products to be ordered from :  
 TIRARD SAS 16, Avenue du Vimeu Vert Z.A. du Vimeu Industriel 80210  
 FEUQUIERES-EN-VIMEU  
 email : [commande@tirard-burgaud.com](mailto:commande@tirard-burgaud.com)

Possible applications include :



Sliding gate



Référence	Finish	GENCOD 3661598	Condit. par	Délai j
AQU012N53	9005-30%	05949 7	6	21
AQU012G7016S	7016-30%	05948 0	6	21
AQU012G7016FT	7016-fine texture	05947 3	6	21
AQU012RAL		05950 3	1	21

 Multi-RAL : specify your color when placing the order (<https://www.couleursral.fr/ral-classic>)