

Possible applications include :



Portails battants

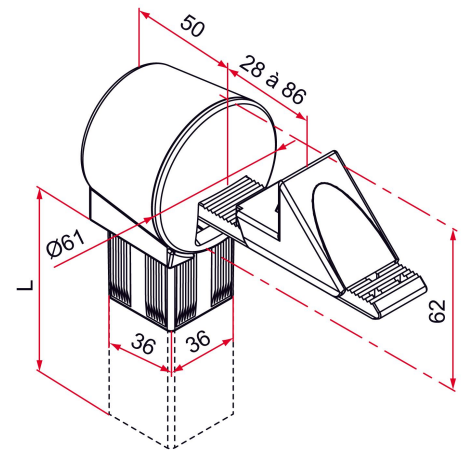


Carpentry and joinery



Features

- Composite body Reinforcement plate and stainless steel screws
 Aluminum tube 2 heights with 40x40 mm tube
 (overall: 320 and 420 mm)



Products to be ordered from :
 TIRARD SAS 16, Avenue du Vimeu Vert Z.A. du Vimeu Industriel 80210
 FEUQUIERES-EN-VIMEU
 email : commande@tirard-burgaud.com

Possible applications include :



Portails battants



Carpentry and joinery



Référence	L	Finish	GENCOD 3661598	Condit. par	Délai j
QE591012	260	9005-30%	02300 9	10	7
QE591013	260	9016-80%	02301 6	10	7

 Multi-RAL : specify your color when placing the order (<https://www.couleursral.fr/ral-classic>)