

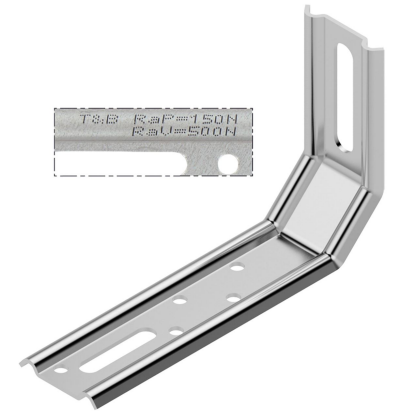
Possible applications include :



Quincaillerie



Carpentry and joinery



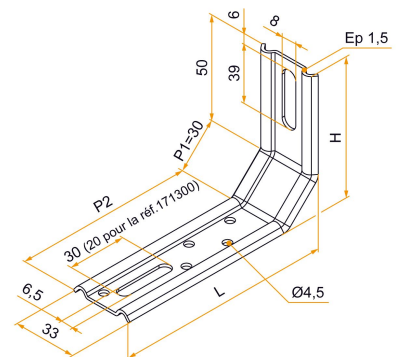
Features

- In treated steel. Compliant with DTU 36.5 Standard, April 2010.



Tip

- Minimum order quantity of 5000 assorted pieces, factory lead time of 3 weeks, for other dimensions, please contact us. The number of Ø 4.5 holes varies depending on the bracket model.



Marquage sur l'équerre :
 T&B : Identification Tirard et Burgaud
 RaP : Résistance admissible au poids
 RaV : Résistance admissible au vent
 xxx N : Valeur en Newton, en fonction du type et référence de patte

Products to be ordered from :
 BURGAUD SAS 147, rue des Paludiers Z.I. des Mares 85270 SAINT-HILAIRE-DE-RIEZ
 email : commande@tirard-burgaud.com

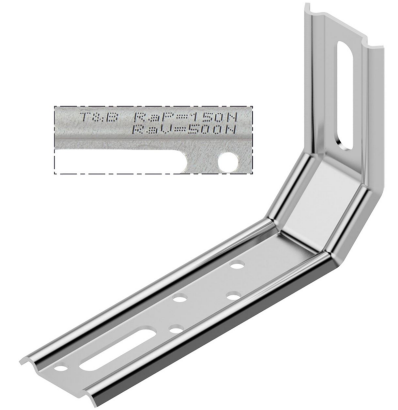
Possible applications include :



Quincaillerie



Carpentry and joinery



Référence	H x L	P2	Finish	GENCOD 3565920	Condit. par	Délai j
171300	70x50	30	galvanized	11837 4	200	21
171310	70x60	40	galvanized	11838 1	200	21
171320	70x70	50	galvanized	11839 8	200	21
171330	70x80	60	galvanized	11840 4	200	21
171340	70x90	70	galvanized	11834 3	150	21
171350	70x100	80	galvanized	11841 1	150	21
171360	70x110	90	galvanized	06929 4	150	21
171370	70x120	100	galvanized	07326 0	150	21
171380	70x130	110	galvanized	11886 2	100	21
171390	70 x140	120	galvanized	11842 8	100	21
171400	70x150	130	galvanized	11835 0	100	21
171410	70x160	140	galvanized	11843 5	100	21
171420	70 x170	150	galvanized	18102 6	100	21
171430	70x180	160	galvanized	18103 3	100	21
171440	70 x 190	170	galvanized	18104 0	100	21
171450	70x200	180	galvanized	11836 7	100	21

Multi-RAL : specify your color when placing the order (<https://www.couleursral.fr/ral-classic>)