

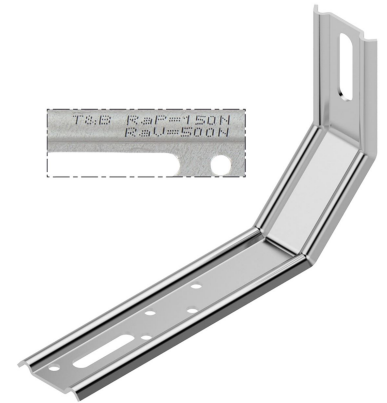
Possible applications include :



Quincaillerie



Carpentry and joinery



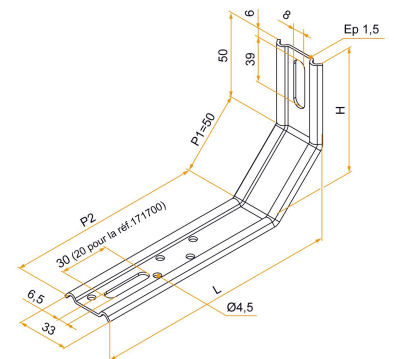
Features

- In treated steel. Compliant with DTU 36.5 Standard, April 2010.



Tip

- Minimum order quantity of 5000 assorted pieces, factory lead time of 3 weeks, for other dimensions, please contact us. The number of Ø 4.5 holes varies depending on the bracket model.



Marquage sur l'équerre :
 T&B : Identification Tirard et Burgaud
 RaP : Résistance admissible au poids
 RaV : Résistance admissible au vent
 xxx N : Valeur en Newton, en fonction du type et référence de patte

Products to be ordered from :
 BURGAUD SAS 147, rue des Paludiers Z.I. des Mares 85270 SAINT-HILAIRE-DE-RIEZ
 email : commande@tirard-burgaud.com

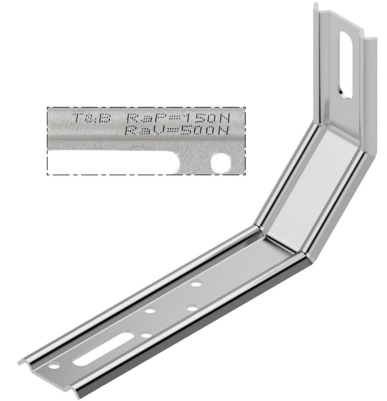
Possible applications include :



Quincaillerie



Carpentry and joinery



| Référence | H x L | P2 | Finish | GENCOD 3565920 | Condit. par | Délai j |
|-----------|---------|-----|------------|-------------------|----------------|---------|
| 171700 | 85x65 | 30 | galvanized | 18117 0 | 200 | 21 |
| 171710 | 85x75 | 40 | galvanized | 18116 3 | 200 | 21 |
| 171720 | 85x85 | 50 | galvanized | 18115 6 | 200 | 21 |
| 171730 | 85x95 | 60 | galvanized | 18114 9 | 150 | 21 |
| 171740 | 85 x105 | 70 | galvanized | 18113 2 | 150 | 21 |
| 171750 | 85x115 | 80 | galvanized | 18112 5 | 150 | 21 |
| 171760 | 85x125 | 90 | galvanized | 18111 8 | 100 | 21 |
| 171770 | 85x135 | 100 | galvanized | 18110 1 | 100 | 21 |
| 171780 | 85x145 | 110 | galvanized | 18109 5 | 100 | 21 |
| 171790 | 85x155 | 120 | galvanized | 18108 8 | 100 | 21 |
| 171800 | 85x165 | 130 | galvanized | 18107 1 | 100 | 21 |
| 171810 | 85x175 | 140 | galvanized | 18106 4 | 100 | 21 |
| 171820 | 85x185 | 150 | galvanized | 18105 7 | 100 | 21 |
| 171830 | 85x195 | 160 | galvanized | 12246 3 | 100 | 21 |

Multi-RAL : specify your color when placing the order (<https://www.couleursral.fr/ral-classic>)