

Possible applications include :



Volets roulants

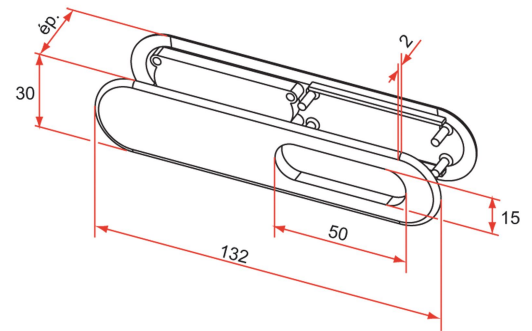


Carpentry and joinery



Features

- In composite material To be recessed Allows manual operation of the slats To be clipped together in a through milling of the blade (23 x 115 mm) 2 models depending on the thickness of the blade



Products to be ordered from :
 TIRARD SAS 16, Avenue du Vimeu Vert Z.A. du Vimeu Industriel 80210
 FEUQUIERES-EN-VIMEU
 email : commande@tirard-burgaud.com

Possible applications include :



Volets roulants



Carpentry and joinery



Référence	Ep	Thickness	Finish	GENCOD 3661598	Condit. par	Délai j
AJ592011	7 to 9	black	02420 4	25	7	
AJ591001	7 to 9	White signaling	00182 3	25	7	
AJ590001	7 to 9	pure white	03861 4	25	7	
AJ515001	7 to 9	beige	01198 3	25	7	
AJ580001	7 to 9	brown	00180 9	25	7	
AJ581001	7 to 9	caramel	03058 8	25	7	
AJ570001	7 to 9	gray	00178 6	25	7	
AJ592012	13 to 15	black	02421 1	25	7	
AJ591002	13 to 15	White signaling	00183 0	25	7	
AJ590002	13 to 15	pure white	04107 2	25	7	
AJ515002	13 to 15	beige	01199 0	25	7	
AJ580002	13 to 15	brown	00181 6	25	7	
AJ581002	13 to 15	8003-80%	04109 6	25	7	
AJ570002	13 to 15	gray	00179 3	25	7	

Multi-RAL : specify your color when placing the order (<https://www.couleursral.fr/ral-classic>)