

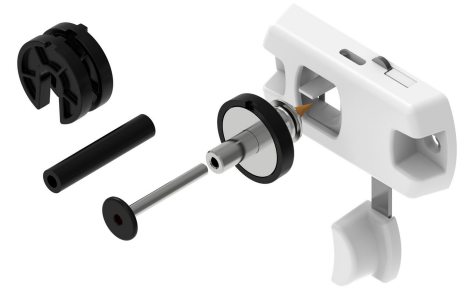
Possible applications include :



Portails battants

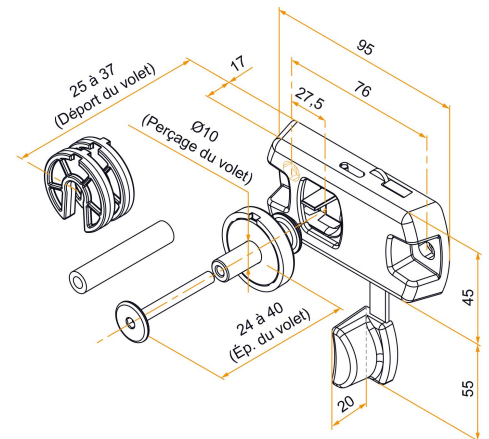


Carpentry and joinery



## Features

- Composition of the wall part: 1 composite housing 1 composite button 1 stainless steel 304 arm 1 stainless steel 304 locking pin  
 Composition of the panel part: 1 stainless steel 304 stop pin 1 composite anti-crushing spacer 2 composite shims 1 elastomer washer 1 stainless steel 304 washer 1 wooden pencil 1 adjustable stainless steel 304 screw



Products to be ordered from :  
 BURGAUD SAS 147, rue des Paludiers Z.I. des Mares 85270 SAINT-HILAIRE-DE-RIEZ  
 email : [commande@tirard-burgaud.com](mailto:commande@tirard-burgaud.com)

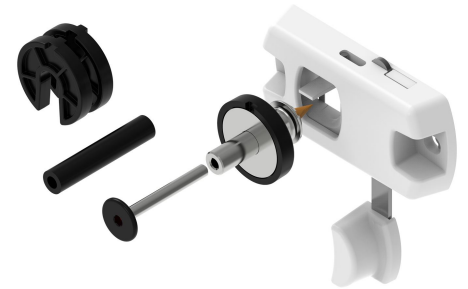
Possible applications include :



Portails battants



Carpentry and joinery



| Référence   | Wall finish                | Panel finish | Panel finishing | Composite part of the panel | GENCOD<br>3565920 | Condit.<br>par | Délai j |
|-------------|----------------------------|--------------|-----------------|-----------------------------|-------------------|----------------|---------|
| ARP005N53   | black                      | 9005-30%     | black           | 21693 3                     | 30                | 21             |         |
| ARP005ABN53 | white                      | 9005-30%     | black           | 22194 4                     | 30                | 21             |         |
| ARP005AGN53 | Gray (RAL 7038 type)       | 9005-30%     | black           | 22195 1                     | 30                | 21             |         |
| ARP005APN53 | your stone (RAL 1015 type) | 9005-30%     | black           | 22196 8                     | 30                | 21             |         |

 Multi-RAL : specify your color when placing the order (<https://www.couleursral.fr/ral-classic>)