

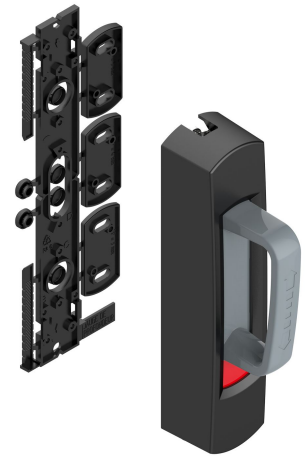
Possible applications include :



Portails battants

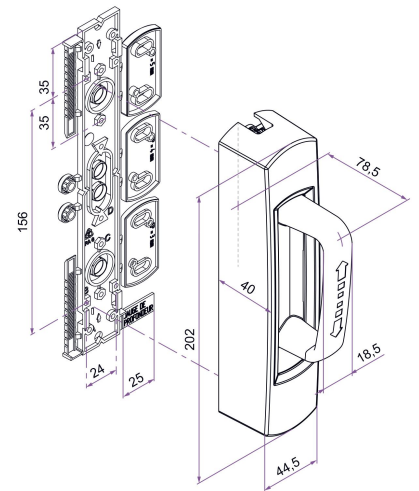


Carpentry and joinery



Features

- Composition: 1 aluminum espagnolette 1 installation template made of composite material



Products to be ordered from :
 TIRARD SAS 16, Avenue du Vimeu Vert Z.A. du Vimeu Industriel 80210
 FEUQUIERES-EN-VIMEU
 email : commande@tirard-burgaud.com



OMNiiA fireman s espagnolette with transom handle

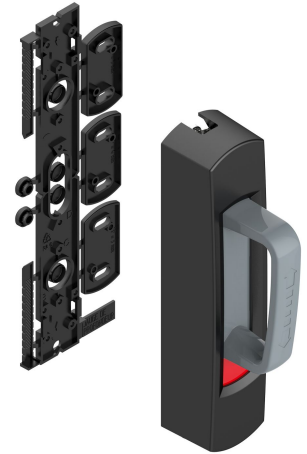
Possible applications include :



Portails battants



Carpentry and joinery



Référence	Finish	Composite part	GENCOD 3661598	Condit. par	Délai j
CGU003N53	9005-30%	black	05847 6	12	14
CGU003B63	9016-30%	white	05845 2	12	14
CGU003B03	9010-30%	white	05846 9	12	14
CGU003G63	9006-30%	gray	05848 3	12	14

 Multi-RAL : specify your color when placing the order (<https://www.couleursral.fr/ral-classic>)